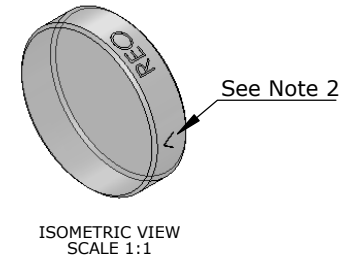
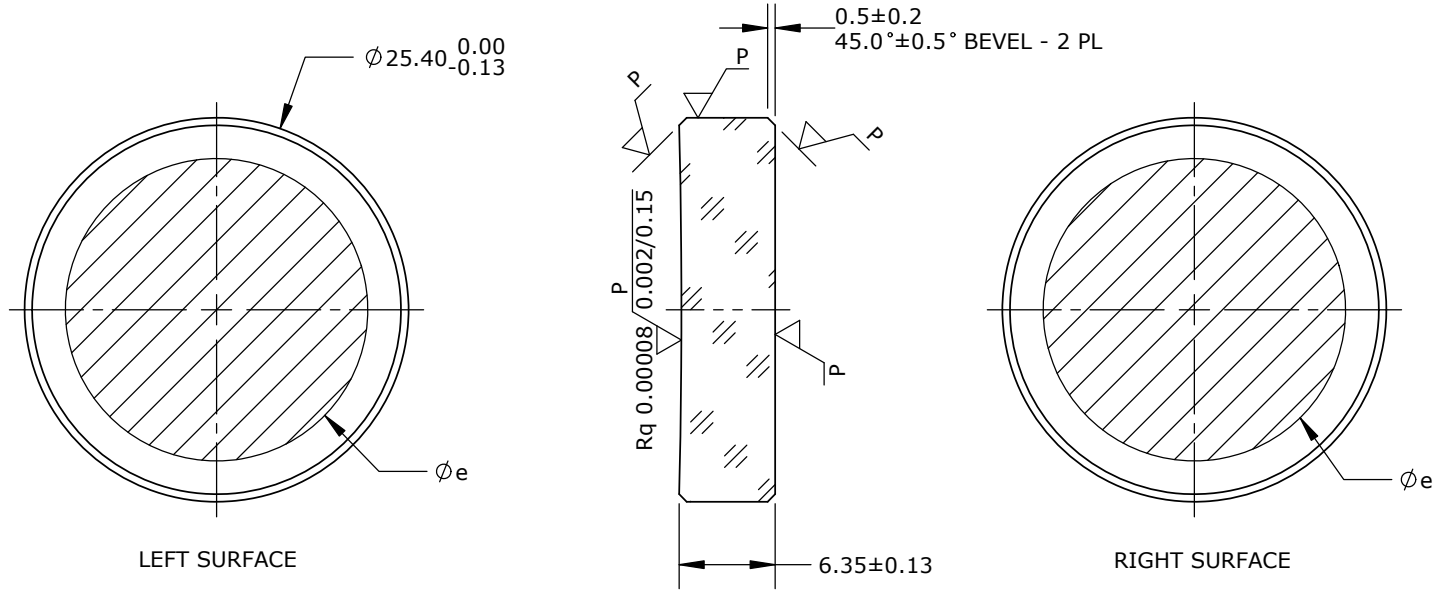


NOTES:

1. Refer to material data sheet for material specifications.
2. Arrow and **REO** text are laser engraved on OD. Arrow points toward Left Surface.



INDICATIONS IN ACCORDANCE WITH ISO 10110

LEFT SURFACE		MATERIAL SPECIFICATION	RIGHT SURFACE	
<i>R</i>	500 CC	Material	Fused Silica, Corning 7980, Class 0, Grade A, See Note 1	
ϕ_e	20	<i>n</i>	--	
λ	--	<i>v</i>	--	
3/	3.0(0.2) at 632.8 nm	0/	--	
4/	15'	1/	--	
5/	2 x 0.04; L 2 x 0.004; E 0.02	2/	--	
6/	--		<i>R</i>	∞
			ϕ_e	20
			λ	--
			3/	0.4(0.2) at 632.8 nm
			4/	--
			5/	2 x 0.1; L 2 x 0.006; E 0.02
			6/	--

This document contains proprietary information of Research Electro-Optics, Inc. and may not be reproduced, copied or used in any way, in whole or in part, without the prior written consent of Research Electro-Optics, Inc.

UNLESS OTHERWISE SPECIFIED TOLERANCES IN ACCORDANCE WITH ASME Y14.5-2009

UNLESS OTHERWISE SPECIFIED DIMENSIONS IN MILLIMETERS

THIRD ANGLE PROJECTION



Research Electro-Optics, Inc.
5505 Airport Blvd, Boulder, CO 80301

TITLE

FS, 25.4MM DIA, 500MM CC/PL, SUB

SIZE

A

SCALE

2:1

DRAWING NUMBER

D-40665

REV

A

SHEET 1 OF 1