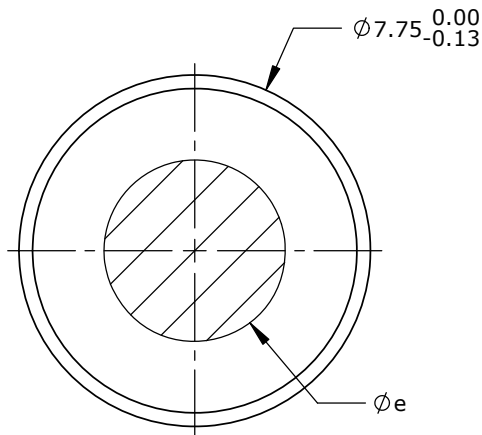


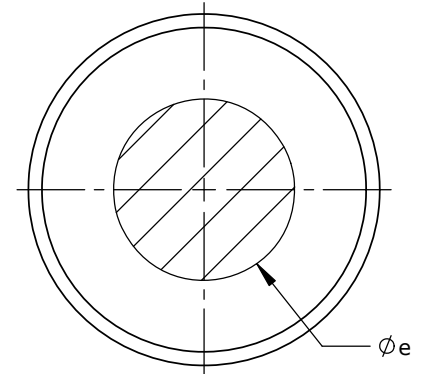
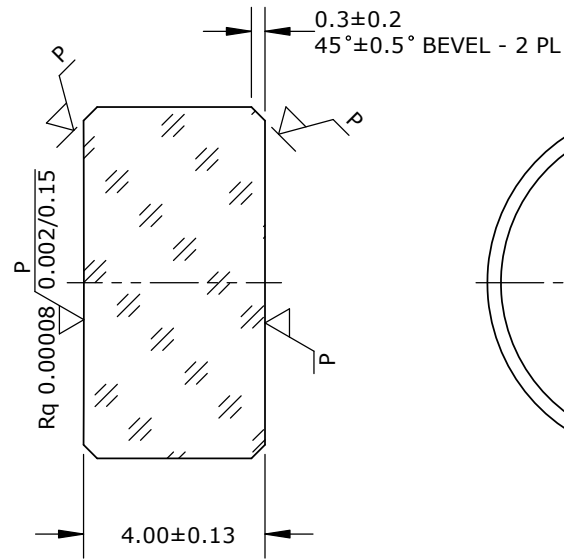
NOTES:

1. Refer to material data sheet for material specifications.

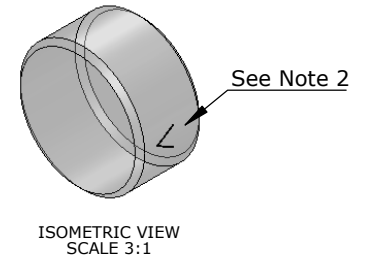
2. Arrow is laser engraved on OD and points toward Left Surface.



LEFT SURFACE



RIGHT SURFACE



INDICATIONS IN ACCORDANCE WITH ISO 10110

LEFT SURFACE		MATERIAL SPECIFICATION	RIGHT SURFACE	
<i>R</i>	1000 CC	Material	Fused Silica, Corning 7980, Class 0, Grade A, See Note 1	
ϕ_e	4	<i>n</i>	--	
λ	--	<i>v</i>	--	
3/	3.0(0.2) at 632.8 nm	0/	--	
4/	30'	1/	--	
5/	2 x 0.016; E 0.02	2/	--	
6/	--		<i>R</i>	∞
			ϕ_e	4
			λ	--
			3/	0.2(0.2) at 632.8 nm
			4/	--
			5/	2 x 0.1; L 2 x 0.006; E 0.02
			6/	--

This document contains proprietary information of Research Electro-Optics, Inc. and may not be reproduced, copied or used in any way, in whole or in part, without the prior written consent of Research Electro-Optics, Inc.

UNLESS OTHERWISE SPECIFIED TOLERANCES IN ACCORDANCE WITH ASME Y14.5-2009



Research Electro-Optics, Inc.
5505 Airport Blvd, Boulder, CO 80301

UNLESS OTHERWISE SPECIFIED DIMENSIONS IN MILLIMETERS

TITLE **FS, 7.75MM DIA, 1000MM CC/PL, SUB**

THIRD ANGLE PROJECTION



SIZE

A

SCALE

6:1

DRAWING NUMBER

D-40657

REV

A

SHEET 1 OF 1