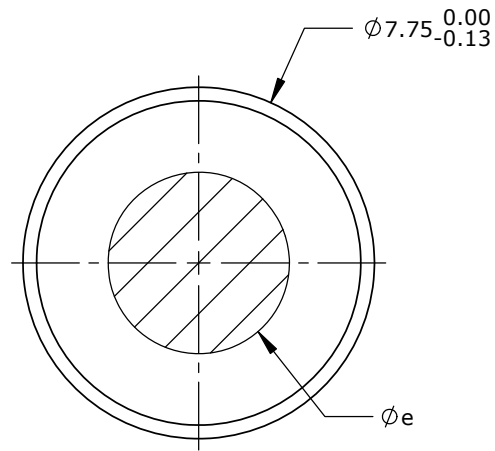
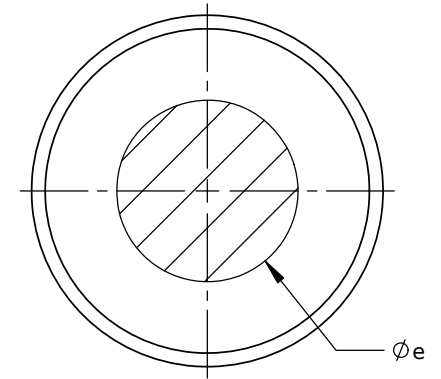
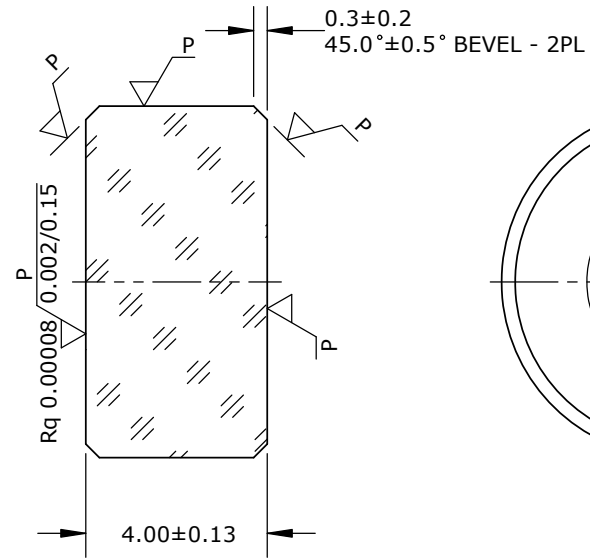


**NOTES:**

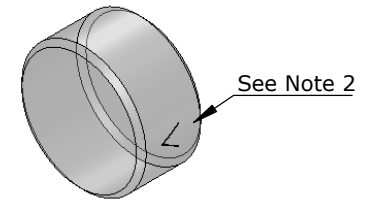
1. Refer to material data sheet for material specifications.
2. Arrow is laser engraved on OD and points toward Left Surface.



LEFT SURFACE



RIGHT SURFACE



ISOMETRIC VIEW  
SCALE 3:1

INDICATIONS IN ACCORDANCE WITH ISO 10110

LEFT SURFACE		MATERIAL SPECIFICATION	RIGHT SURFACE		
<i>R</i>	∞	Material	Fused Silica, Corning 7980, Class 0, Grade A, See Note 1	<i>R</i>	∞
$\phi_e$	4	<i>n</i>	--	$\phi_e$	4
$\lambda$	--	<i>v</i>	--	$\lambda$	--
3/	0.2(0.2) at 632.8 nm	0/	--	3/	0.2(0.2) at 632.8 nm
4/	30'	1/	--	4/	--
5/	2 x 0.016; E 0.02	2/	--	5/	2 x 0.1; L 2 x 0.006; E 0.02
6/	--			6/	--

This document contains proprietary information of Research Electro-Optics, Inc. and may not be reproduced, copied or used in any way, in whole or in part, without the prior written consent of Research Electro-Optics, Inc.

UNLESS OTHERWISE SPECIFIED TOLERANCES IN ACCORDANCE WITH ASME Y14.5-2009



**Research Electro-Optics, Inc.**  
5505 Airport Blvd, Boulder, CO 80301

UNLESS OTHERWISE SPECIFIED DIMENSIONS IN MILLIMETERS

TITLE  
**FS, 7.75MM DIA, PL/PL, SUB**

THIRD ANGLE PROJECTION

SIZE	SCALE	DRAWING NUMBER	REV	SHEET 1 OF 1
<b>A</b>	<b>6:1</b>	<b>D-40654</b>	<b>A</b>	